



A Division of Thiessen Products, Inc.

INSTRUCTION SHEET FOR TOOL #906

REAR AXLE NUT TORQUE ADAPTER

No. **906** - Use this tool to torque the rear axle on FLH touring models 2002 to present without the need to remove original H-D stock OEM mufflers.

NOTE: PLEASE READ ALL INSTRUCTIONS COMPLETELY BEFORE PERFORMING ANY WORK! IF YOU DO NOT KNOW WHAT YOU ARE DOING, DON'T DO IT!

No information in this instruction sheet pertaining to motorcycle repair is represented as foolproof or even altogether safe. Even something safe, done incorrectly or incompletely can and will backfire. You and only you are responsible for the safety of your repair work and for your understanding the application and use of repair equipment, components, methods and concepts. Each and every step this tool is designed to do must be carefully and systematically performed safely by you. All information listed in this instruction sheet has been tested, re-tested and used daily in JIMS® Research and Development Department.

ALWAYS WEAR SAFETY GLASSES OR OTHER FACE AND EYE PROTECTION SUCH AS A FULL FACE SHIELD. JIMS® IS NOT RESPONSIBLE FOR DAMAGE, INJURY, YOUR WORK OR FOR THE QUALITY AND SAFETY OF YOUR WORK.

Read complete instructions thoroughly before using this tool.

Tools needed:

- 1/2" drive torque wrench that will torque 105 ft-lbs.
- H-D service manual or equivalent for the motorcycle you will be repairing.

JIMS® Tools needed for axle torque : No 906

- No. **970** 3RD Hand axle locker tool
- No. **964** FLH Power train alignment tool
- No. **923** Belt tension gauge tool

Checking torque of rear axle nut

Install No. **970** 3RD Hand axle locker tool per instruction sheet No. **970-IS**
Also check rear belt tension with tool No. **923**

Note: When applying Torque with any torque adaptor, you must all ways maintain 90 degrees (perpendicular) from the torque wrench to adaptor. **See Fig 1 & 2**

If you will be performing any other service work that involves removing or installing the rear axle nut, please follow your service manual for the year and model you have. Also follow any and all instruction sheets that come with service tools.

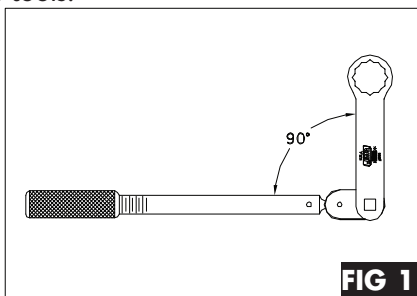


FIG 1

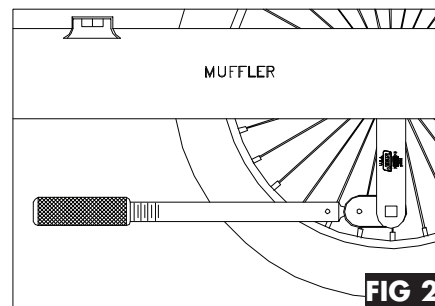


FIG 2

Performance Parts For Harley-Davidson Motorcycles