

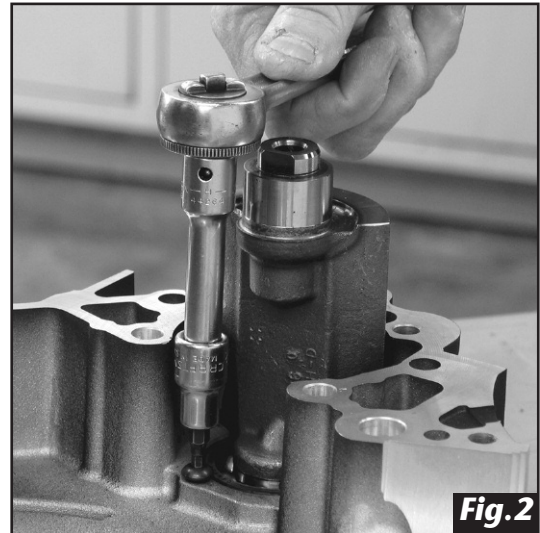
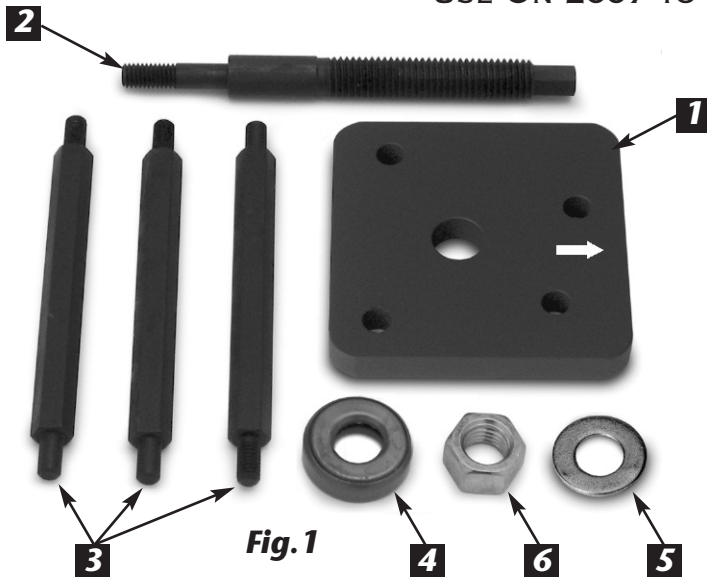


A Division of Thiessen Products, Inc.

# INSTRUCTION SHEET FOR TOOL #960

## BALANCER SHAFT REMOVER TOOL

USE ON 2007 TO PRESENT FXST



<b>PARTS AVAILABLE SEPARATELY</b>			
No.	Qty.	Description	Part No.
1	1	Remover Plate	960-1
2	1	Remover Screw	960-2
3	3	Standoff	960-3
4	1	Bearing	2008
5	1	Washer	2020
6	1	Nut	2032

**JIMS TOOLS NEEDED TO PERFORM THIS SERVICE:**

- 1) #994 Cam locking Tool
- 2) #2315 Primary Chain Locker Tool
- 3) #995 Case Splitter
- 4) #957 Balancer Bearing, Balancer Shaft Bearing Remover and Installer
- 5) #975 Engine Rotator
- 6) #973 Sprocket Shaft Race and Timken Bearing Installer
- 7) #963 Bearing puller

**NOTE: PLEASE READ ALL INSTRUCTIONS COMPLETELY & THOROUGHLY BEFORE PERFORMING ANY WORK.**

**IF YOU DO NOT KNOW WHAT YOU ARE DOING, DO NOT DO IT!**

No information in this instruction sheet pertaining to motorcycle repair is represented as foolproof or even altogether safe, done incorrectly or incompletely can and will backfire. You and only you are responsible for the safety of your repair work and and for your understanding the application and use of repair equipment, components, methods and concepts.

Each and every step that this tool is designed to do must be carefully and systematically performed safely by you. All information listed in this instruction sheet has been tested, re-tested and used daily in JIMS Research and Development Department.

**ALWAYS WEAR SAFETY GLASSES OR OTHER FACE AND EYE PROTECTION SUCH AS FULL FACE SHIELD. JIMS® IS NOT RESPONSIBLE FOR DAMAGE , INJURY, OR YOUR WORK. JIMS® IS NOT RESPONSIBLE FOR THE QUALITY AND SAFETY OF YOUR WORK.**

**CAUTION: WEAR SAFETY GLASSES. EXCESSIVE FORCE MAY DAMAGE PARTS!  
SEE JIMS® CATALOG FOR HUNDREDS OF TOP QUALITY PROFESSIONAL TOOLS.  
THE LAST TOOLS YOU WILL EVER NEED TO BUY.**

*Performance Parts For Harley-Davidson® Motorcycles*



A Division of Thiessen Products, Inc.

## INSTRUCTION SHEET FOR TOOL #960

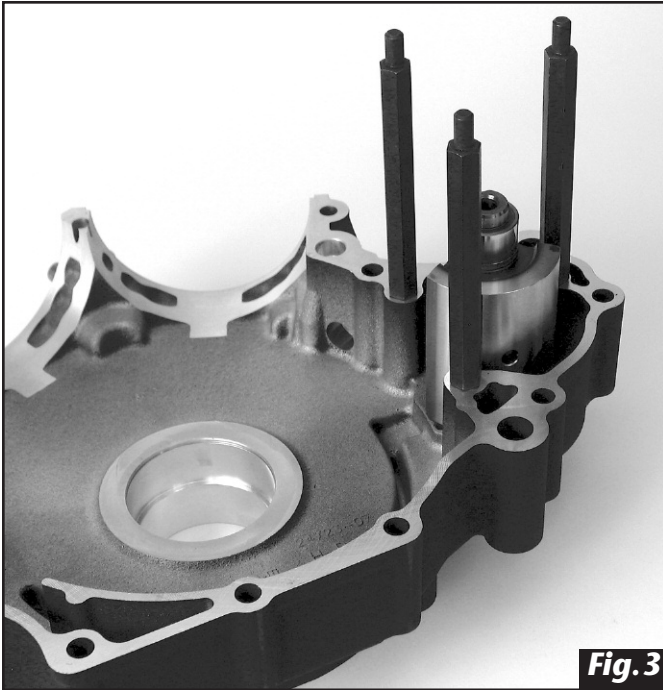


Fig. 3

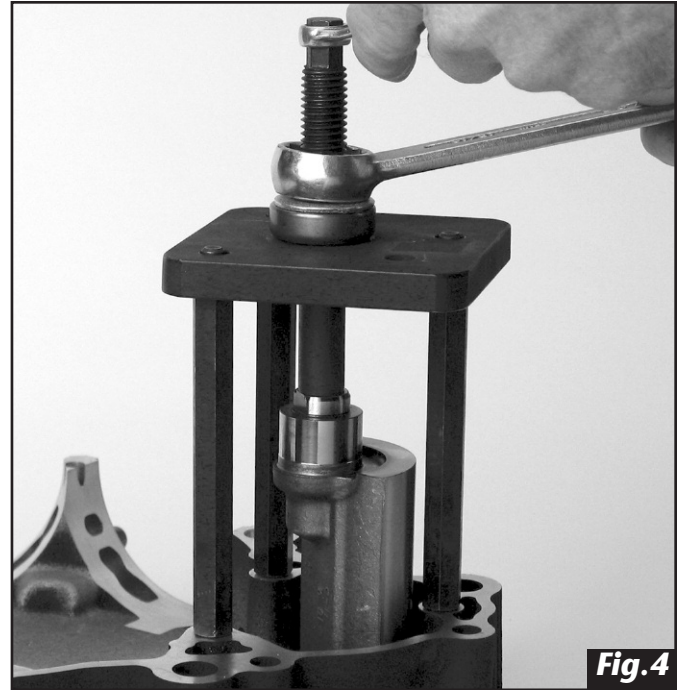


Fig. 4

### Removal Procedures

#### Warning: Disconnect the negative ground cable at the battery

1. Disassemble the engine per H-D service manual for appropriate year and model for the motorcycle you will be repairing.
2. Remove bearing TORX fastener from the engine case, with a T-27 TORX bit as shown in Fig. 2.
3. Apply lube to all threads of all the standoff shafts No. 960-3.
4. Thread all 3 standoff shafts into threaded three holes of left case around the front or rear balancer shaft. Tighten each to 5 ft-lbs. of torque using a 1/2" deep socket. See FIG. 4.
5. Place remover puller plate No.960-1 with direction arrow marked side facing you. See FIG. 1. Locate over the top of the three standoffs No. 960-3.  
**Note:** If working with front balancer shaft, the arrow marked on the plate should point to the front of the case when positioned correctly on standoffs. The arrow should point to the rear of case for rear balancer shaft removal.
6. Lube threads on No. 960-2 remover screw. Insert screw, small threaded end thru plate No.960-1 and into end of balancer shaft as shown in FIG. 4. Torque to no more than about 2 ft-lbs. (just hand tight.)
7. Place bearing No.2008 followed by flat washer No.2020 and then the lubed threads of nut No.2032 onto the top of remover screw No.960-2.
8. Thread nut down until it stops at washer, then, with a 15/16" wrench, turn nut at the same time holding remover screw with a 7/16" wrench. Continue to turn nut until balancer shaft and bearing is pulled from case. See FIG. 4.
9. Remove bearing from balancer shaft with JIMS tool No. 963.

**Note:** Do not use any type of impacted tool, while using this tool. Use hand tools only.

**CAUTION: WEAR SAFETY GLASSES. EXCESSIVE FORCE MAY DAMAGE PARTS!**  
SEE JIMS® CATALOG FOR HUNDREDS OF TOP QUALITY PROFESSIONAL TOOLS.  
THE LAST TOOLS YOU WILL EVER NEED TO BUY.

*Performance Parts For Harley-Davidson Motorcycles*