



A Division of Thiessen Products, Inc.

INSTRUCTION SHEET FOR No.5457

JIMS No. 5457 is a special hardware kit used to mount the JIMS Forceflow Cylinder Head Cooler on H-D CVO 110, SE 120R engines as well as SE Pro 4.060 bore Crankcases and other big bore cases using a 5/16 center case bolt with integral sealing o-ring.

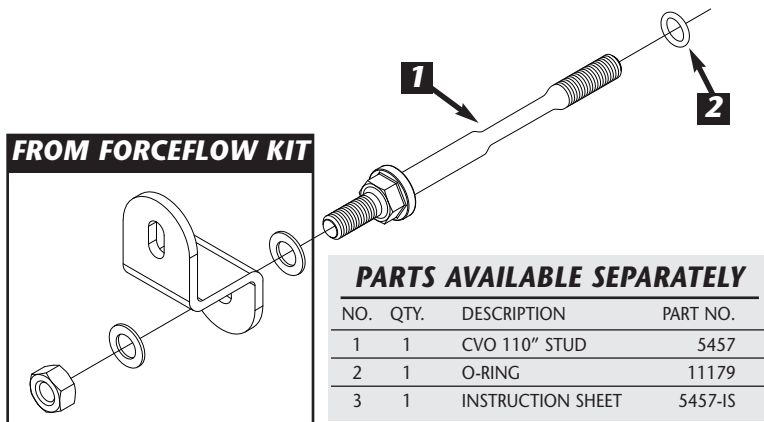
Read the complete instruction sheet before installing this product. You will also need to refer to the Instruction sheet from the Forceflow Cylinder Head Cooler Assembly No. 5400-IS. If you have not received this instruction sheet, call the JIMS Sales Department at (805) 482-6913, or get it online at www.jimsusa.com.

Tools Required

- ½" deep socket
- Ratchet
- Torque wrench
- ½" open end wrench

1. Remove stock center case bolt.
2. Install JIMS No. 5457 stud with No. 11179 O-ring under the head of the hex nut so that it sits against the case. Use blue thread locker and torque to 15-19 ft. /lbs.
3. Install one No. 1216 flat washer onto stud against standoff hex. (From Forceflow kit)
4. Install No. 5409 bracket with offset oriented away from engine and mounting slot in an upright position.
5. Install another No. 1216 flat washer. Apply blue Loctite to No. 1222 Nut and snug down finger tight.
6. Position bracket the upright position and tighten nut to 15-19 ft. /lbs., holding the stud with a ½" open end wrench and using a torque wrench on the outer nut.

Warning! *On certain CVO 110 models, the original shifter linkage interferes with the lower mounting bracket. It is necessary to use a round shift rod to maintain adequate clearance for proper shifting.*



CAUTION: WEAR SAFETY GLASSES OVER YOUR EYES.
 SEE JIMS® CATALOG FOR HUNDREDS OF TOP QUALITY PROFESSIONAL TOOLS.
 THE LAST TOOLS YOU WILL EVER NEED TO BUY.

Performance Parts For Harley-Davidson Motorcycles

555 DAWSON DRIVE, CAMARILLO, CA 93012 PHONE 805-482-6913 • FAX 805-482-9224
 VISIT US ON THE WEB AT WWW.JIMSUSA.COM