



INSTRUCTION SHEET FOR PART #1385

JIMS® TWIN CAM 88™ "ALPHA & BETA" BILLET ROCKER BOXES



JIMS® now offers billet aluminum rocker box kits made from 6061-T6 aluminum, hand polished or chrome plated. These rocker boxes utilize stock and Screamin' Eagle™ support plates and breathers, designed to make rocker arm and shaft removal or installation easy without removing rocker arm support plate. JIMS® rocker boxes incorporate a special milled clearance to fit all cam, valve and spring combinations (to over .720" lift). Twin Cam only.

Caution: It is always important to wash the surrounding area of the motor you will be working on

Disassembly

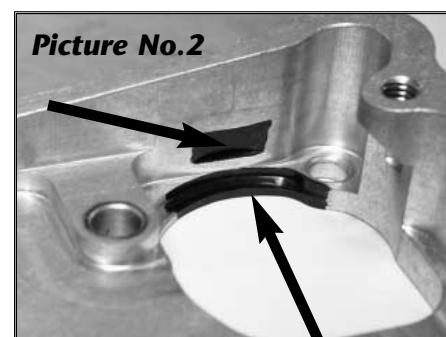
1. Remove the top rocker covers, breather, and rocker arm support plate, per H-D® service manual, for the year of motorcycle you will be installing JIMS® rocker covers on to.
2. Remove lower rocker housing bolts and gasket from the head. Wipe all oil residues and remove all gasket material from the gasket surface and clean the gasket surface with lacquer thinner. (Both head & lower rocker box)

Valve Spring/Collar to Rocker Box Clearance

1. You need to do a clearance check for both front & rear rocker boxes. Measure the clearance between the top collar & valve spring and the rocker cover with a feeler gauge. The minimum should be .060". See picture 1 and 2.
2. Install the JIMS® rocker housing screws Per H-D service manual. If more clearance is needed, file to remove just enough rocker box metal to gain the needed .060 Valve spring clearance. Note: wash all filings from box after clearancing.

Installation

1. Prepare the threads of the JIMS® rocker housing screws with mild thread locking compound (follow mfg. application instructions).
2. Install the JIMS® rocker housing screws Per H-D® service manual. **Note:** JIMS® rocker box screws No.2045 are special length and should not be mixed. See Fig. 2
3. Replace the rocker support plate assembly and breather assembly with new gaskets or complete plastic assembly depending on year. Per H-D® service manual.
4. **Note:** Hydraulic lifters may require a few minutes to bleed down after the rocker box assembly is installed. **DO NOT** rotate the engine until the pushrods can be turned with your finger.
5. Prepare the rocker cover for installment per H-D® service manual.
6. Extend the pushrod covers and install the retainer clips.
7. Repeat this procedure for Rear head.
8. Start the motorcycle and carefully check for gas and oil leaks.



CAUTION: WEAR SAFETY GLASSES. EXCESSIVE FORCE MAY DAMAGE PARTS AND TOOL. SEE JIMS® CATALOG FOR OVER 100 OTHER TOP QUALITY PROFESSIONAL TOOLS. THE LAST TOOLS YOU WILL EVER NEED TO BUY.

"From the Track... To the Street!"

555 DAWSON DRIVE, CAMARILLO, CA 93012 • PHONE 805-482-6913 • FAX 805-482-7422

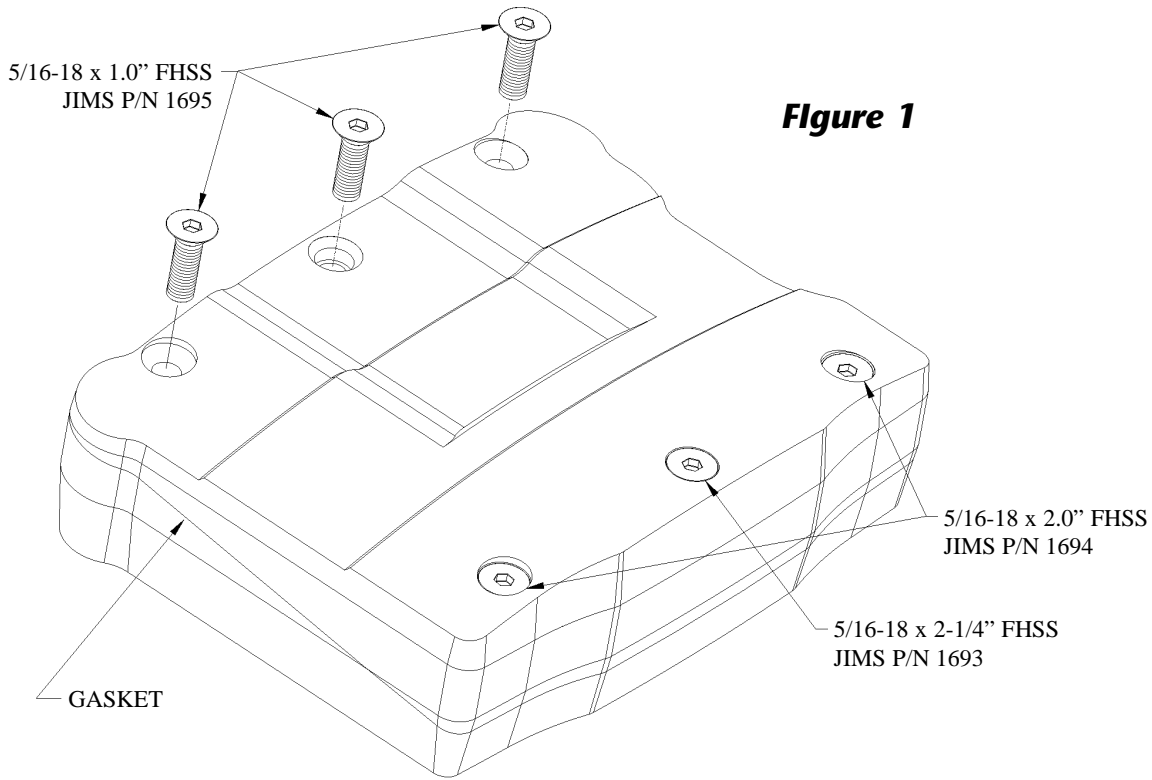


Figure 1

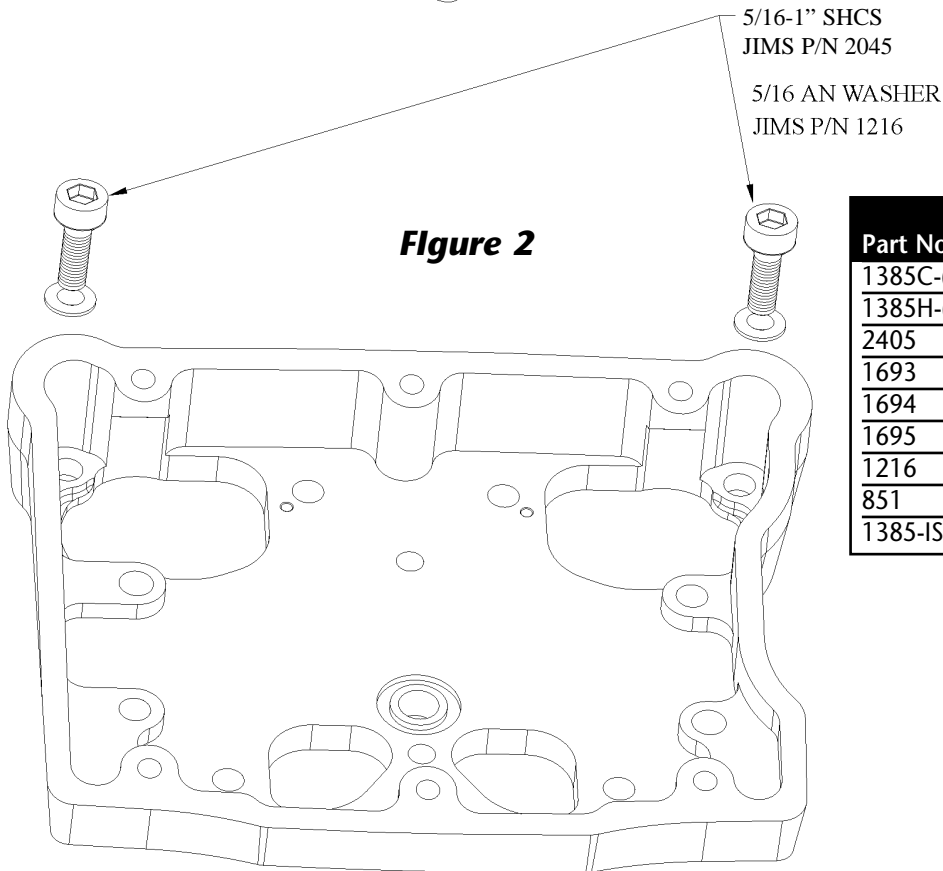


Figure 2

Parts Included		
Part No.	Description	Qty.
1385C-(1 or 2)	Cover	2
1385H-(1 or 2)	Housing	2
2405	5/16-18x1 SHCS	4
1693	5/16-18x2.25 FHSS	2
1694	5/16-18x2 FHSS	4
1695	5/16-18X1 FHSS	6
1216	5/16 AN Washer	4
851	Gasket Kit	1
1385-IS	Instruction sheet	1

CAUTION: WEAR SAFETY GLASSES. EXCESSIVE FORCE MAY DAMAGE PARTS AND TOOL. SEE JIMS® CATALOG FOR OVER 100 OTHER TOP QUALITY PROFESSIONAL TOOLS. THE LAST TOOLS YOU WILL EVER NEED TO BUY.

"From the Track... To the Street!"

555 DAWSON DRIVE, CAMARILLO, CA 93012 • PHONE 805-482-6913 • FAX 805-482-7422