



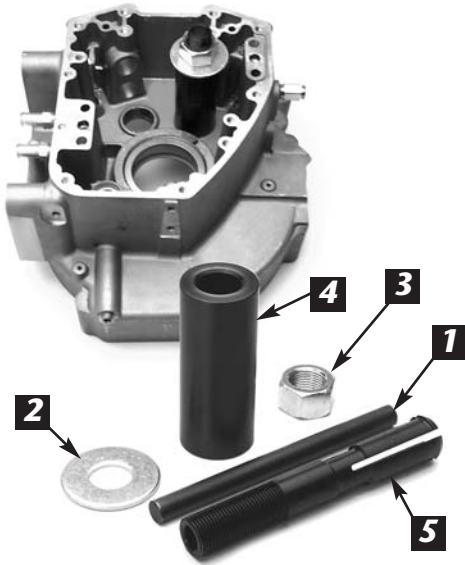
A Division of Thiessen Products, Inc.

INSTRUCTION SHEET FOR TOOL # 1279

INNER CAM BEARING PULLER

USE ON ALL TWIN CAM®, 2000-06 FXST, 1999-05 FXD, AND 1999-06 FL'S

Designed like our popular EVO cam bearing tool, it removes the bearing easily without any damage to the crankcase. This precision built tool will also keep the pin rollers from accidentally falling into the crankcase.



PARTS AVAILABLE SEPARATELY

No.	Qty.	Description	Part No.
1	1	Dowel Pin	95760-TB-1
2.	1	3/4" Brass Washer	1099
3.	1	Nut	1098
4.	1	Remover Body	1279-2
5.	1	Inner Cam Bearing Puller	1279-1
6.	1	Instruction Sheet	1279-IS

Refer to H-D® Service Manual for removal of cams and tappets, Use JIMS® tool No. 1283 Cam Chain tensioner tool and No. 1285 Cam / Crank Sprocket Lock tool.

Note: Read all instructions before performing work.

WARNING: Always wear eye protection and always disconnect the negative cable on the battery.

1. Disassemble tool by removing nut, brass washer, sleeve, and inner pin. This will leave just the remover portion of tool (the piece with the four grooves), we call it the puller.
2. Push the puller through the cam bearing (groove end first). You can tap end of puller with a soft hammer until the puller is completely through bearing.
3. Now install body with puller bore towards bearing, next apply a little oil to washer face and the thread of the nut.
4. Snug up nut, apply a little oil to the pin and slip pin through center until flush with puller end.
5. With your 1 1/8" wrench turn nut clockwise until bearing is free of case (you may need to hold puller with a 5/8" wrench to keep it from turning).

Caution: Do not turn tool with your 5/8" wrench, you will damage tool.

6. Install new JIMS® Bearings No.9198K with tool No.787.

**CAUTION: WEAR SAFETY GLASSES. EXCESSIVE FORCE MAY DAMAGE PARTS!
SEE JIMS® CATALOG FOR HUNDREDS OF TOP QUALITY PROFESSIONAL TOOLS.
THE LAST TOOLS YOU WILL EVER NEED TO BUY.**

Performance Parts For Harley-Davidson® Motorcycles