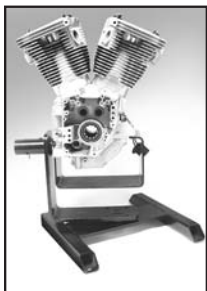




## INSTRUCTION SHEET FOR TOOL NO. 1138



### JIMS® COMPLETE MODULAR ENGINE STAND KIT

This kit provides a solid and versatile work center for a variety of engine types. With this kit an engine builder can freely position complete engines into the most optimum working position. The base stand allows 360° of rotation while the modular cradles swivel and lock in 180°, 90°, and 45° angles. The base easily bolts to a work bench, and comes ready to use with all hardware included. Each piece is constructed from high quality steel.



#### No.1145 - Complete Engine & Transmission Stand Kit.

Use on all Twin Cam® "A" & "B", Big Twin, and Sportster® engine cases.

#### THIS KIT INCLUDES:

No.1138 -	Base Stand
No.1139 -	"Taller" Single Cam Big Twin Cradle
No.1140 -	Twin Cam® "A" Cradle
No.1141 -	Sportster® and Buell® Cradle
No.1142 -	Twin Cam® "B" Engine Stand

### READ ALL INSTRUCTIONS BEFORE PERFORMING WORK! IF YOU DO NOT KNOW WHAT YOU ARE DOING, DO NOT DO IT!

No information in this instruction sheet pertaining to motorcycle repair is represented as fool-proof or even altogether safe. Some people can ruin a mechanic's vise with a tack hammer. Even something safe, done incorrectly or incompletely can and will backfire. You are responsible for the safety of your work and knowledge of the tools, repair equipment, components, methods and concepts needed to complete these tasks. You must carefully and systematically perform each and every step safely. All information listed in this instruction sheet has been tested, re-tested and used daily in JIMS Research and Development Department.

### JIMS® IS NOT RESPONSIBLE FOR THE QUALITY AND SAFETY OF YOUR WORK!

If you are not sure about any of the procedures in these instructions, have a reputable H-D® repair shop perform these procedures for you.

**WARNING:** Always disconnect the Battery Ground Cable (at the battery) to prevent injury. Your work area should be well lit. Wear safety glasses (over your eyes) and protective clothing when working around power tools and compressed air. Be careful with chemicals when cleaning parts. Protect your skin from solvents and use only in a well-ventilated area. Degreasers are flammable and are a fire hazard. Just use common sense and exercise good judgement.

*Performance Parts For Harley-Davidson® Motorcycles*

# INSTRUCTION SHEET FOR TOOL NO. 1138

## INDIVIDUAL "BASE, CRADLES, AND STANDS"

### BASE STAND



No.1138 - Use on all Twins, including Twin Cam 88" & 96" "A" & "B", Big Twin, Sportster® engines, and 5 speed & 6 speed transmissions.



### TALLER ENGINE CRADLE

No.1139 - Use on all 1936-00 Big Twins, EVO, Shovel, Pan, Knuckle & Flathead.

### TWIN CAM® "B" ENGINE STAND



No.1142 - Use on all "B" Twin Cam® 2000 to present.



### SPORTSTER®/BUELL® ENGINE STAND

No.1141 - Use on all 1957-03 XL's and 1987-02 Buells®.

### TWIN CAM® "A" 88" & 96" ENGINE CRADLE



No.1140 - Use on all 1999-2006 FL's & FXD's.

## I. Assembly

### A. Assemble base stand No.1138

1. Place bearing No.1187 with a small amount of lube over the end of the cradle support shaft as illustrated in view No.1138 on page 3.
2. Insert support plate shaft through the base plate hole.
3. Slide washer onto shaft and thread the threaded collar on until there is no up and down play.
4. Tighten set screw of threaded collar with a 3/16" Allen wrench to about 50 lbs/inch.
5. Solidly mount Base stand to a solid bench with at least two high-grade 3/8" nuts and bolts. (Not supplied)

**Caution:** Failure to follow this instruction may result in personal injury and or property damage.

### B. Using Cradles

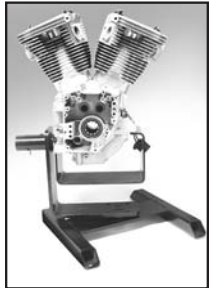
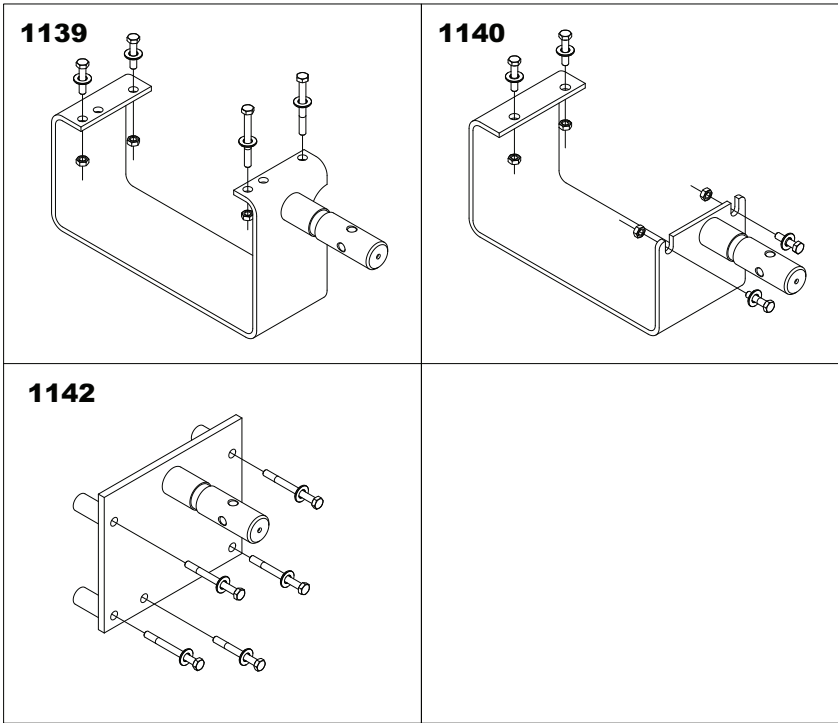
1. Choose cradle and slide through the cradle yoke support hole.
2. Rotate cradle to desired angle, 180°, 90°, and 45° and insert locking pin No.1186 (1 of 2).
3. Insert and tighten set-screw No.1184. Note: You may need to loosen set-screw to re-rotate cradle.
4. Rotate Base stand to desired angle, 180°, 90°, 45° degrees and insert locking pin No.1186 (2 of 2)

**Caution:** Always have second person help with loading, and rotating engine mounted cradles. Failure to comply with safety instructions may result in serious injury.

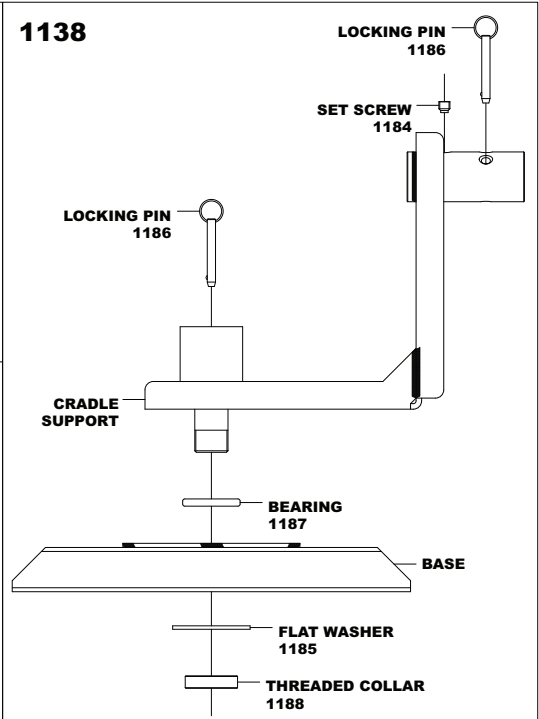
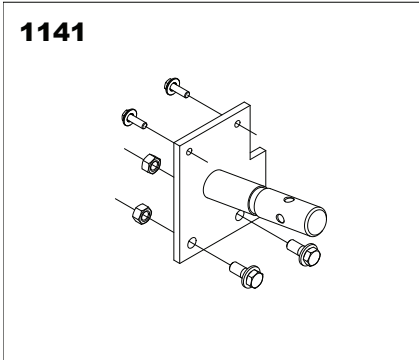
*Performance Parts For Harley-Davidson Motorcycles*

**INSTRUCTION SHEET FOR TOOL No. 1138**

**JIMS® COMPLETE MODULAR  
ENGINE & TRANSMISSION STAND KIT**



- THIS KIT INCLUDES:**
- No.1138 - Base Stand
  - No.1139 - "Taller" Single Cam Big Twin Cradle
  - No.1140 - Twin Cam® "A" Cradle
  - No.1141 - Sportster® and Buell® Cradle
  - No.1142 - Twin Cam® "B" Engine Stand



*Performance Parts For Harley-Davidson® Motorcycles*